

T8 GLASS TUBE

TYPE B | 2' | 3' | 4'

Indoor Lighting | Tubes



OVERVIEW

Power	2': 8W 3': 12W 4': 9W 12W 18W
Voltage	AC 100-277V, 50/60 Hz
Power Factor	0.9
Efficacy	Up to 177lm/W
CCT	4000K 5000K
Color Rendering (CRI)	81
R9 (Red Value)	1
R13 (Skin Tones)	83
Beam Angle	201°
Dimmable	Continuous Dimming to 10% or Below
Operating Temperature	-4°F ~ +113°F
Suitable Location	DAMP
Ingress Protection Rating (IP)	IP20
Average Life (Hours)	50,000
LED Light Source	Hongli SMD2835 D90-2
Driver	Internal Driver
Housing	Glass
Cover Material	Glass
Diffuser	Frosted Clear
Base	G13 (Double Ended Wiring)
Finish	White

Product Description

The T8 Glass Tube Type B is engineered for seamless installation, operating directly from the main switch without the need for complex rewiring. With high efficacy and lumen output, it delivers consistent, flicker-free illumination across spaces, enhancing visibility and comfort. Made of Tier-1 domestically sourced materials, it complies with BAA/BABAA standards, making it ideal for federal projects.

Features

- Premium quality with BAA & BABAA compliance, crafted using Tier-1 domestically sourced materials to meet the 65% federal procurement mandate.
- Effortless installation; runs directly off the main switch, eliminating the need for extensive rewiring.
- Built with precision using high-speed SMT lines, ensuring uniform visual appeal and reliable performance.
- Integrated universal line voltage driver optimizes energy usage and reduces maintenance costs.
- Damp location-rated for reliable performance in humid environments and low temperatures.

Applications Area

Offices, Schools, Hospitals, Retail Stores, Lobbies, General Areas, Residential Spaces

Warranty



Warranty Limitations: To ensure eligibility, the product must be installed by a certified electrician in accordance with the guidelines outlined in the installation sheet. The fixture is designed for operation within ambient temperatures of -4°F to +113°F. The 10-year warranty remains valid only if all operating conditions strictly adhere to the parameters specified in the installation sheet. Any installation errors or deviations from the provided instructions will void warranty coverage.

Additional coverage options may be available for purchase—please contact IKIO representatives for more information. Warranty claims must be initiated by submitting a completed RMA form. For full warranty details and terms, refer to the comprehensive [warranty document](#).

T8 GLASS TUBE | TYPE B | Indoor Lighting

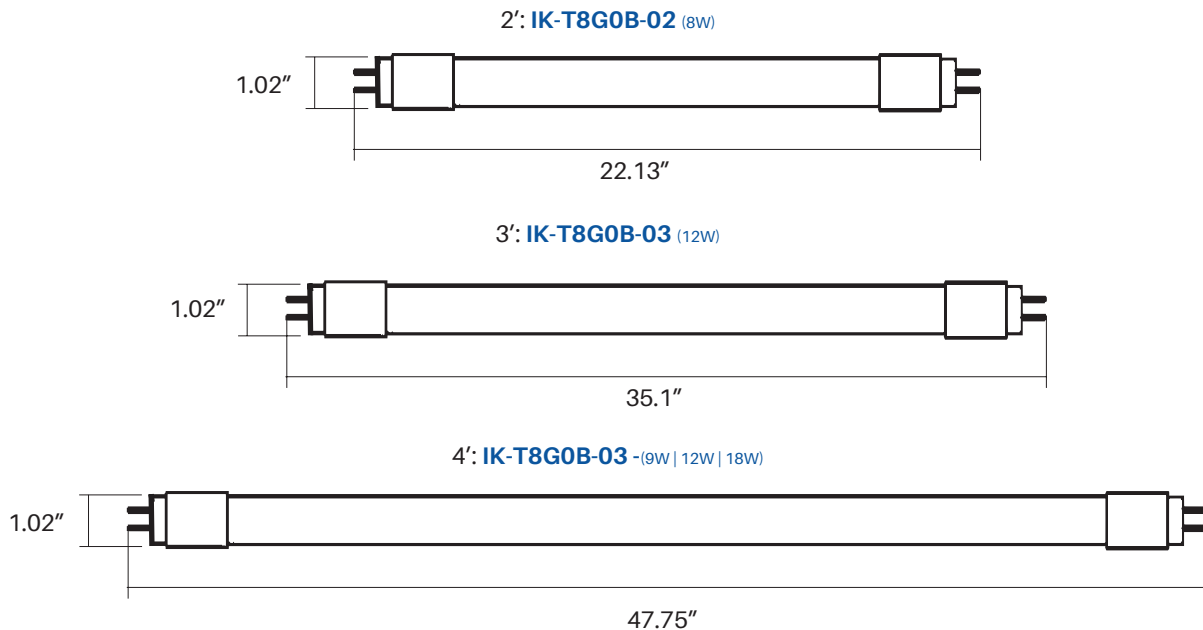


Product Specifications

PART NUMBER	SIZE	POWER	VOLTAGE	LUMEN OUTPUT	EFFICACY	CRI	DIFFUSER	CCT	THD
	ft	W	V	lm	lm/W			K	
IK-T8G0B-02-F0008-MV-D-40K-UD-00-WH-BFU-SF	2	8	100V-277V	1150	177	81	Frosted	4000	13%
IK-T8G0B-03-F0012-MV-D-40K-UD-00-WH-BFU-SF	3	12	100V-277V	1500	177	81	Frosted	4000	13%
IK-T8G0B-04-F0009-MV-D-50K-UD-00-WH-BFU-SF	4	9	100V-277V	1350	177	81	Frosted	4000	13%
IK-T8G0B-04-F0012-MV-D-40K-UD-00-WH-BFU-SF	4	12	100V-277V	1800	177	81	Frosted	4000	13%
IK-T8G0B-04-F0018-MV-D-40K-UD-00-WH-BFU-SF	4	18	100V-277V	2700	177	81	Frosted	4000	13%
IK-T8G0B-04-F0018-MV-D-40K-UD-00-WH-BFU-SC	4	18	100V-277V	2800	177	81	Clear	4000	13%
IK-T8G0B-02-F0008-MV-D-50K-UD-00-WH-BFU-SF	2	8	100V-277V	1150	177	81	Frosted	5000	13%
IK-T8G0B-03-F0012-MV-D-50K-UD-00-WH-BFU-SF	3	12	100V-277V	1500	177	81	Frosted	5000	13%
IK-T8G0B-04-F0009-MV-D-50K-UD-00-WH-BFU-SF	4	9	100V-277V	1350	177	81	Frosted	5000	13%
IK-T8G0B-04-F0012-MV-D-50K-UD-00-WH-BFU-SF	4	12	100V-277V	1800	177	81	Frosted	5000	13%
IK-T8G0B-04-F0018-MV-D-50K-UD-00-WH-BFU-SF	4	18	100V-277V	2700	177	81	Frosted	5000	13%
IK-T8G0B-04-F0018-MV-D-50K-UD-00-WH-BFU-SC	4	18	100V-277V	2800	177	81	Clear	5000	13%

Note: Custom manufacturing options in CCT, wattage, voltage, light distribution, finish, and more are available upon request, subject to MOQ and lead time considerations.

Dimensions



T8 GLASS TUBE | TYPE B | Indoor Lighting



Product Ordering Information Typical order example: IK-T8G0B-02-F0008-MV-D-40K-UD-00-WH-BFU-SF

LUMINAIRE FAMILY			ELECTRICAL / LIGHTING PERFORMANCE						CONSTRUCTION		
IK	T8G0B			MV	D	40K	UD	00	WH	BFU	
BRAND	FAMILY/VERSION	VARIANT	POWER (W)	VOLTAGE (V)	DIMMING	CCT (K)	DISTRIBUTION	DRIVER	FINISH	MANUFACTURER	DIFFUSER
IK IKIO	T8G0B T8 GLASS TUBE TYPE B	02 2'	F0008 8W	MV 100V-277V	D DIMMABLE	40K 4000K	UD ULTRA WIDE DISTRIBUTION	00	WH WHITE	BFU BRIGHT FUTURE USA, INC	SF FROSTED
		03 4'	F0012 12W								SC CLEAR
		04 4'	F0009 9W								
			F0012 12W								
			F0018 18W								

Note: Please ensure compatibility with this specific fixture size when selecting this option.